

All AN and MS Type fittings are available as snubbers



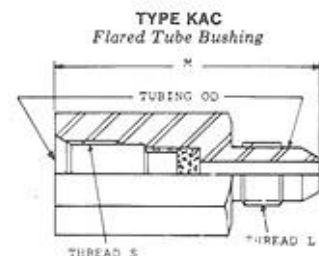
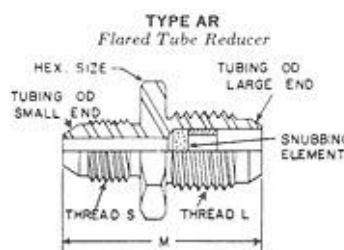
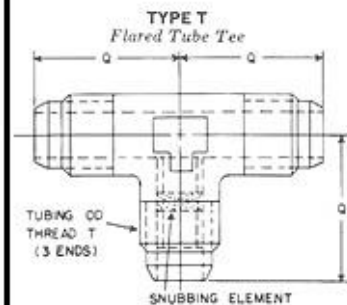
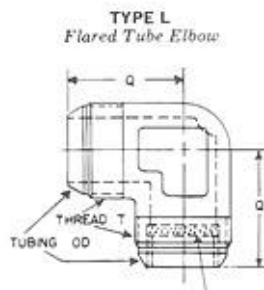
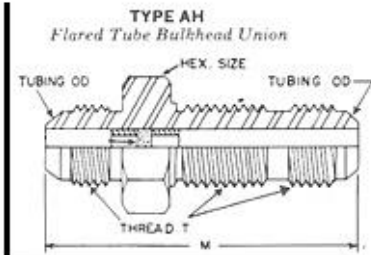
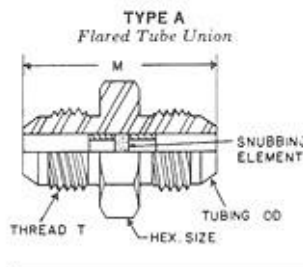
Description of Fitting		Model Number	Weight	Hex (inches)	Dimensions M Q	Thread T	Thread S	Thread L
Coupling Flare x Flare (similar to AN815)	¼" Flare (7/16"-20 NF-3)	AC-1	½ oz.	11/16	1 ¼	7/16-20		
	⅝" Flare (9/16"-18 NF-3)	AC-6	1 oz.	13/16	1 3/8	9/16-18		
	½" Flare (¾"-16 NF-3)	AC-8	2 oz.	1	1 9/16	¾-16		
Coupling Flare x NPT (similar to AN816)	See Next Page							
Elbow Flare (similar to AN821)	¼" Flare (7/16"-20 NF-3)	LC-1	1 oz.	-----	57/64	7/16-20	-----	-----
	⅝" Flare (9/16"-18 NF-3)	LC-6	2 oz.		11/16	9/16-18		
	½" Flare (¾"-16 NF-3)	LC-8	3 oz.		1 ¼	¾-16		
Tee Flare (similar to AN824)	¼" Flare (7/16"-20 NF-3)	TC-1	2 oz.	-----	55/64	7/16-20	-----	-----
	⅝" Flare (9/16"-18 NF-3)	TC-6	3 oz.		11/64	9/16-18		
	½" Flare (¾"-16 NF-3)	TC-8	4 oz.		1 7/32	¾-16		
Bulkhead Coupling Flare (similar to AN832)	¼" Flare (7/16"-20 NF-3)	AHC-1	1 oz.	11/16	2 3/64	7/16-20		
	⅝" Flare (9/16"-18 NF-3)	AHC-6	2 oz.	13/16	2 13/32	9/16-18		
	½" Flare (¾"-16 NF-3)	AHC-8	3 oz.	1	2 29/64	¾-16		
Reducing Coupling Flare x Flare (similar to AN919)	¼" Flare (7/16"-20 NF-3) x ⅝" Flare (5/16"-20 NF-3)	ARC-1	1 oz.	11/16	1 ¼		5/16"-24	7/16"-20
	⅝" Flare (9/16"-18 NF-3) x ¾" Flare (7/16"-20 NF-3)	1ARC-6	1 oz.	13/16	1 13/32	-----	7/16"-20	9/16"-18
	½" Flare (¾"-16 NF-3) x ¾" Flare (7/16"-20 NF-3)	1ARC-10	2 oz.	1	1 17/32		7/16"-20	3/4"-16
Flare Tube Bushing Gasket Seal x Flare (similar to AN894)	¼" Tube x ¼" Flare (7/16"-18 NF-3) x (7/16"-20 NF-3)	1KAC-1	2 oz.	11/16	1 45/64		7/16"-20	7/16"-20
	⅝" Tube x ¼" Flare (9/16"-18 NF-3) x (7/16"-20 NF-3)	6KAC-1	2 oz.	13/16	1 25/64		9/16"-18	7/16"-20
	¾" Tube x ⅝" Flare (9/16"-18 NF-3) x (9/16"-18 NF-3)	6KAC-6	2 oz.	¾	1 5/16	-----	9/16"-18	9/16"-18
	½" Tube x ¼" Flare (¾"-16 NF-3) x (7/16"-20 NF-3)	8KAC-1	3 oz.	1	1 37/64		3/4"-16	7/16"-20
	½" Tube x ⅝" Flare (¾"-16 NF-3) x (9/16"-18 NF-3)	8KAC-6	3 oz.	1	1 35/64		3/4"-16	9/16"-18

Housing:

- 303 Stainless Steel
- 316 Stainless Steel
- Aluminum
- Monel

Porous Disc:

- 316 Stainless Steel
- Monel available with special order



**NPT x Flared Tubing Connections Pressure snubbers**

Coupling Flared x NPT				
Model No.	Tubing (O.D)	NPT Pipe	Length	Net weight
12-FR-4	¼"	⅛" Female	1.3/16"	1 oz.
12-FR-5	5/16"	⅛" Female	1 3/16"	1 oz.
25-FR-4	¼"	¼" Female	1 ⅜"	1 oz.
25-FR-5	5/16"	¼" Female	1 7/16"	1 oz.
25-FR-6	⅜"	¼" Female	1 7/16"	1 oz.
12-MR-4	¼"	⅛" Male	1 ⅜"	
12-MR-5	5/16"	⅛" Male	1 3/16"	2 oz.
25-MR-4	¼"	¼" Male	1 ⅜"	
25-MR-5	5/16"	¼" Male	1 5/16"	2 oz.
25-MR-6	⅜"	¼" Male	1 7/16"	
50-MR-4	¼"	½" Male		3 oz.
50-MR-5	5/16"	½" Male		3 oz.
50-MR-6	⅜"	½" Male		3 oz.
Housing Materials				
303 Stainless Steel				
316 Stainless Steel				
Aluminum				
Monel				

